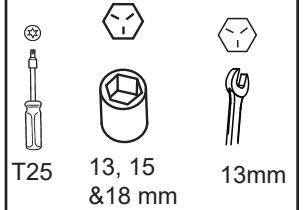
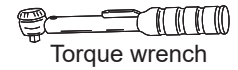
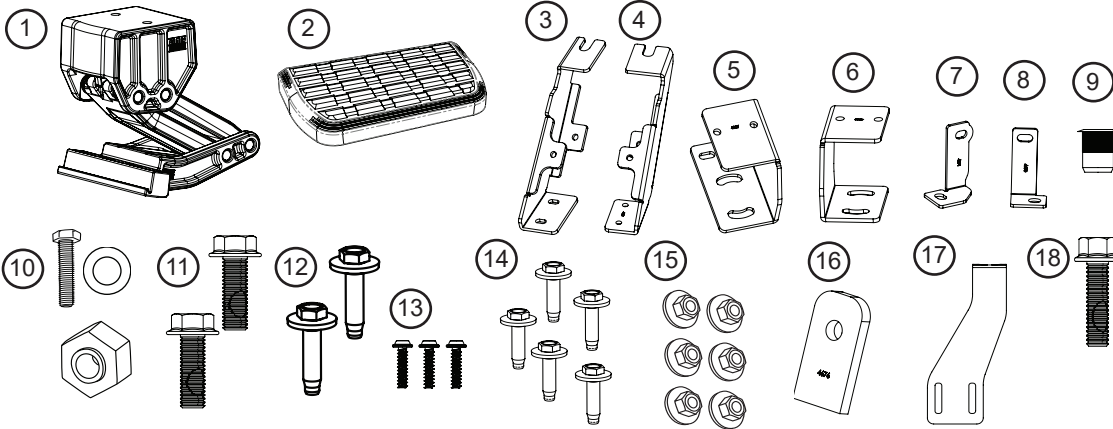


APPLICATION
GM Silverado/Sierra 2500/3500HD
(Mid/Long Bed Only)

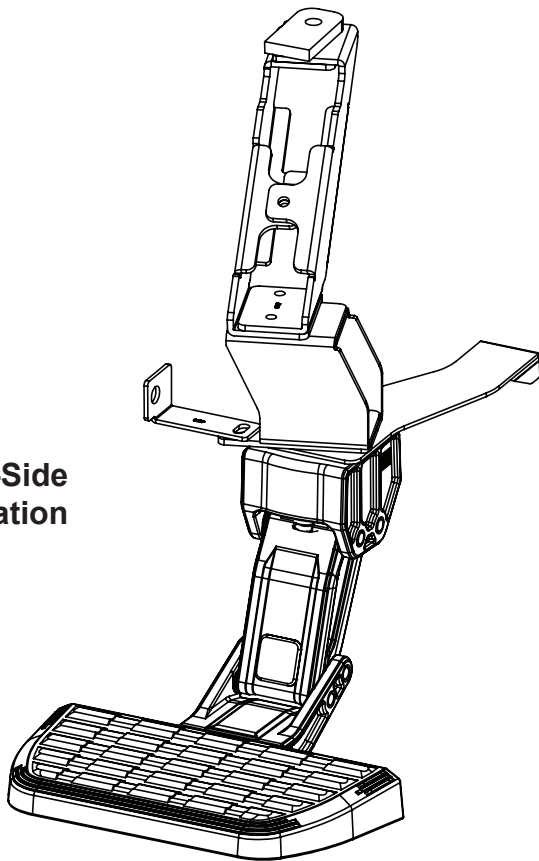
MODEL YEAR
2020 - 2024

PART NUMBER
75418-01A

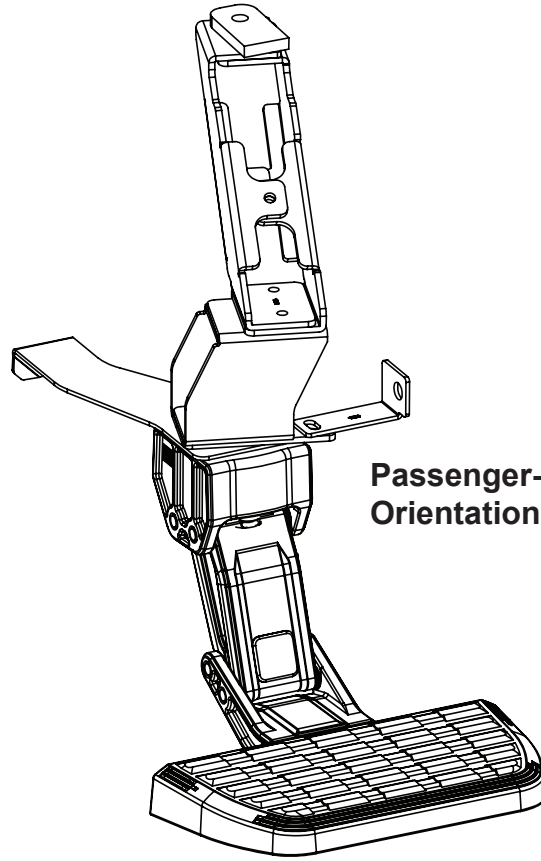


Components must be configured for Passenger or Drivers-Side as shown.

**Driver-Side
Orientation**



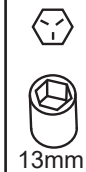
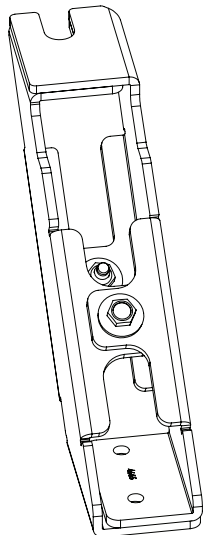
**Passenger-Side
Orientation**



REALTRUCK TECH SUPPORT 1-888-983-2204 (Press 2) Monday - Friday, 8:00 AM - 5:00 PM EST

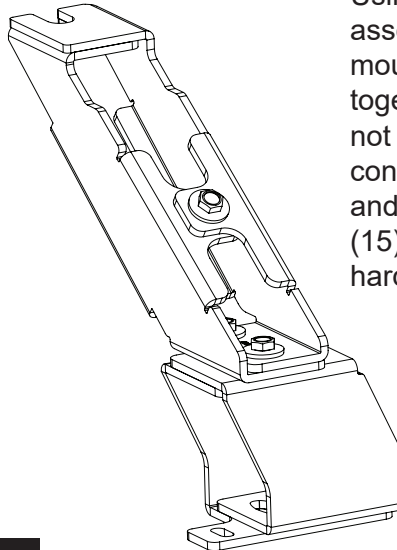
Designed and manufactured by AMP Research® • Made in Mexico
Patent Protected. Please see our product site for applicable patents. www.realtruck.com/b/amp-research/
© 2024 AMP Research • Three-year limited warranty. • Professional installation is recommended.

Using a 13 mm Socket assemble Frame mounting brackets together. Snug bolts do not torque. use supplied conical washer bolts (14) and Conical Washer nuts (15) supplied.



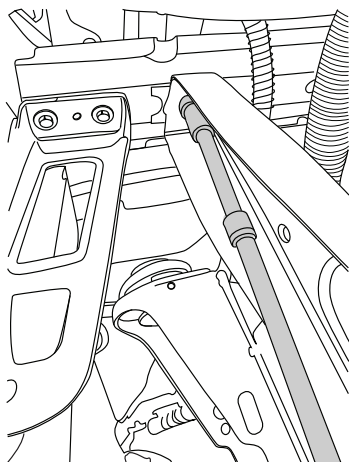
1

Using a 13 mm Socket assemble Lateral mounting brackets together. Snug bolts do not torque. use supplied conical washer bolts (12) and Conical Washer nuts (15) supplied. Torque all hardware to 16ft-lbs.



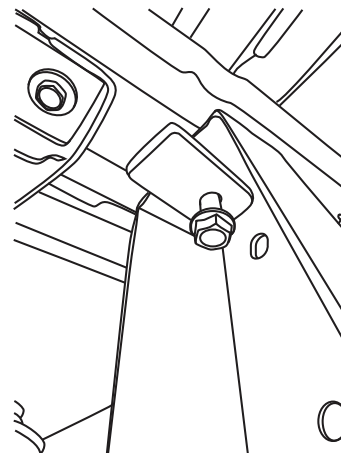
2

Locate front bed mounting point. Remove bed bolt.



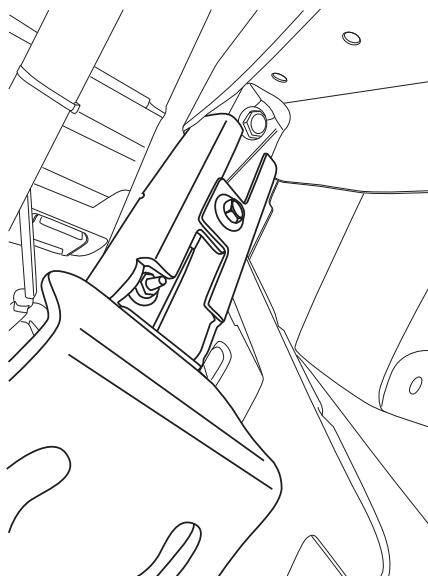
3

Use supplied bolt (18) and Spacer(16). Start threads to hold bolt and spacer into position.



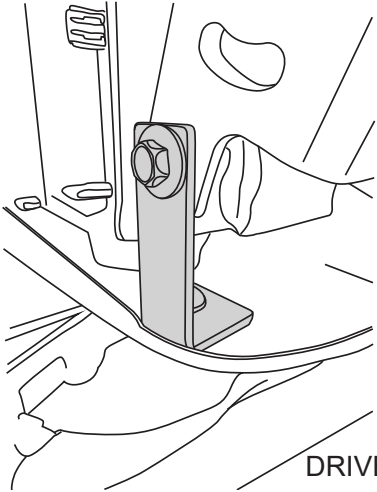
4

Slide assembly into position and snug bolt so frame mount assembly is snug to bed mount.

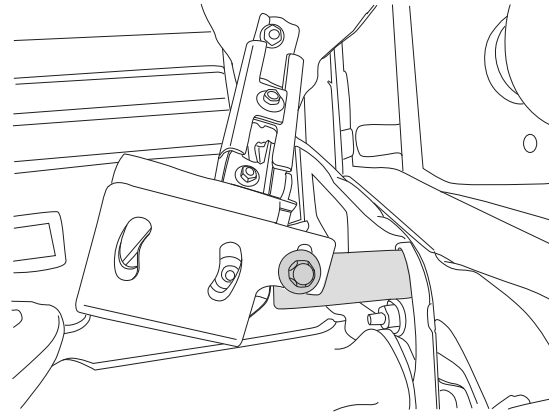


5

Install support brackets as shown below. Driver side (8) and passenger side(7) specific brackets are made. Discard extra bracket after install. Use supplied M8 conical washer bolts (14) and conical washer nuts. (15)



DRIVER SIDE



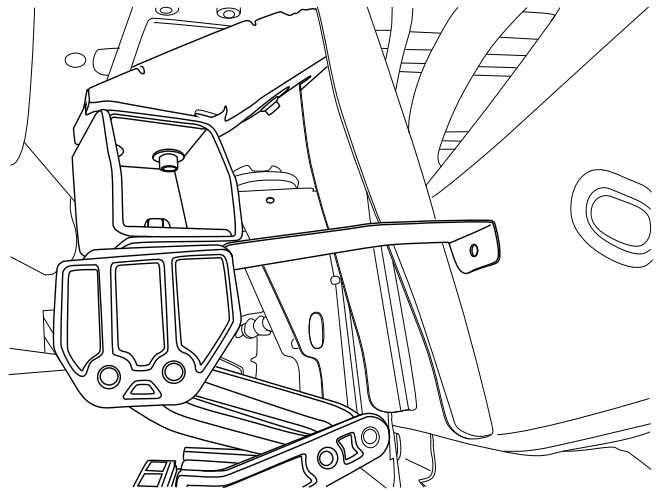
PASSENGER SIDE



13mm

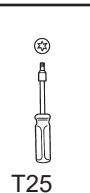
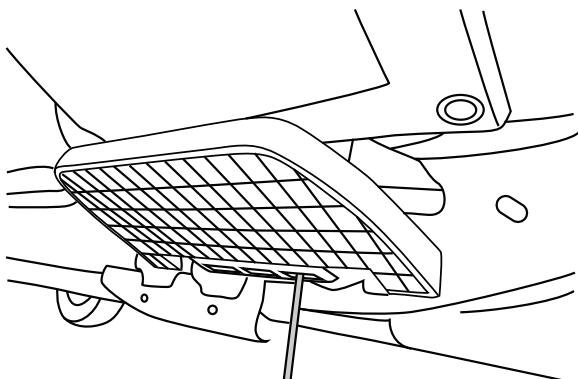
6

Set Support bracket and linkage into position. tighten bolts to allow bracket to set in position on frame. Use hole and mark frame for rivet nut location. Remove linkage assembly and pre drill using an 1/8" drill bit. Then drill to 17/32". Install rivet nut with provided steps included in rivet nut package. Reinstall linkage assembly.



7

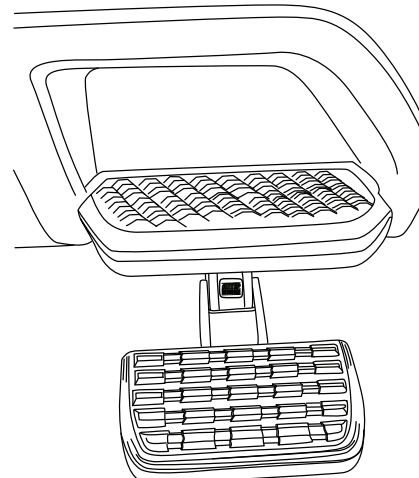
Center step pad on lower mount and scure using provided PT Screws. Tighten to 5ft-lbs using a T25 Torx bit. Verify Step pad alignment to body line of vehicle. Once step pad is in line to vehicle torque all bracket hardware to 16ft-lbs. Torque bed bolt to 75 ft-lbs.



T25

To deploy the step, press down using your foot on the outside edge of the step pad.

To retract, gently kick up on the underside of the step pad.



8

9

Thank you for your recent Realtruck Purchase.

**REGISTER YOUR PRODUCT TODAY FOR
FASTER SERVICE & PRODUCT UPDATES**

Please visit:

<https://realtruck.com/warranty-registration/>
or scan the QR Code



Product Registration Benefits:

- Ensure we have your purchase receipt and product info in our system which is required for warranty.
- Faster and easier access to customer service and tech support in the unlikely event you need warranty or product support.
- Registration helps us keep you up to date on product information and offers.

To view other Realtruck products that may be offered for your vehicle.

Please visit: www.realtruck.com



Congratulations on the purchase of your AMP Research BedStep®

Here's what you should know...

OPERATION

- The AMP Research BedStep® is foot operated and deploys and retracts with a nudge of your foot.
- To deploy, press down using your left foot, on the forward outside corner of the step pad.
- To retract, gently kick the underside of the step pad.
- Max Load Capacity: 300lbs.
- Always use appropriate hand holds when stepping up to or down from your truck's cargo bed.

MAINTENANCE TIPS

The step pad surface and linkage arms can be washed with mild soap and water using a soft brush or sponge to dislodge any mud, dirt or accumulated road grime. Rinse with fresh water.

To prevent slipping, avoid applying waxes, lubricants or protectants like Armor All® to the step surface.

ATTENTION!

BEDSTEP SHOULD ALWAYS BE STOWED IN THE RETRACTED POSITION WHEN DRIVING.

LIMITED WARRANTY

REALTRUCK warrants product to be free from defects in material and workmanship, for terms specified below, provided there has been normal use and proper maintenance. All remedies under this warranty are limited to the repair or replacement of any item found by the factory to be defective within the time period specified.

If you have a warranty claim, first you must call our factory at the number below for instructions. You must retain proof of purchase and submit a copy with any items returned for warranty work. Upon completion of warranty work, if any, we will return the repaired or replaced item or items to you freight prepaid. Damage to our products caused by accidents, fire, vandalism, negligence, misinstallation, misuse, acts by mother nature, or by defective parts not manufactured by us, is not covered under this warranty.

THE WARRANTY TIME PERIOD IS AS FOLLOWS: THREE YEARS FROM DATE OF PURCHASE.

ANY IMPLIED WARRANTIES OF MERCHANTABILITY AND/OR FITNESS FOR A PARTICULAR PURPOSE CREATED HEREBY ARE LIMITED IN DURATION TO THE SAME DURATION AND SCOPE AS THE EXPRESS WRITTEN WARRANTY. OUR COMPANY SHALL NOT BE LIABLE FOR ANY INCIDENTAL OR CONSEQUENTIAL DAMAGE.

Some states do not allow limitations on how long an implied warranty lasts, or the exclusion or limitation of incidental or consequential damages, so the above limitations or exclusions may not apply to you. This warranty gives you specific legal rights, and you may also have other rights that vary from state to state.

FOR WARRANTY ISSUES WITH THIS PRODUCT PLEASE CALL REALTRUCK CUSTOMER SERVICE 1-888-983-2204

WARNING

Be sure to read and precisely follow the provided instructions when installing this product. Failure to do so could place the vehicle occupants in a potentially dangerous situation. After installing or reinstalling, re-check to insure that the product is properly installed.