

### APPLICATION

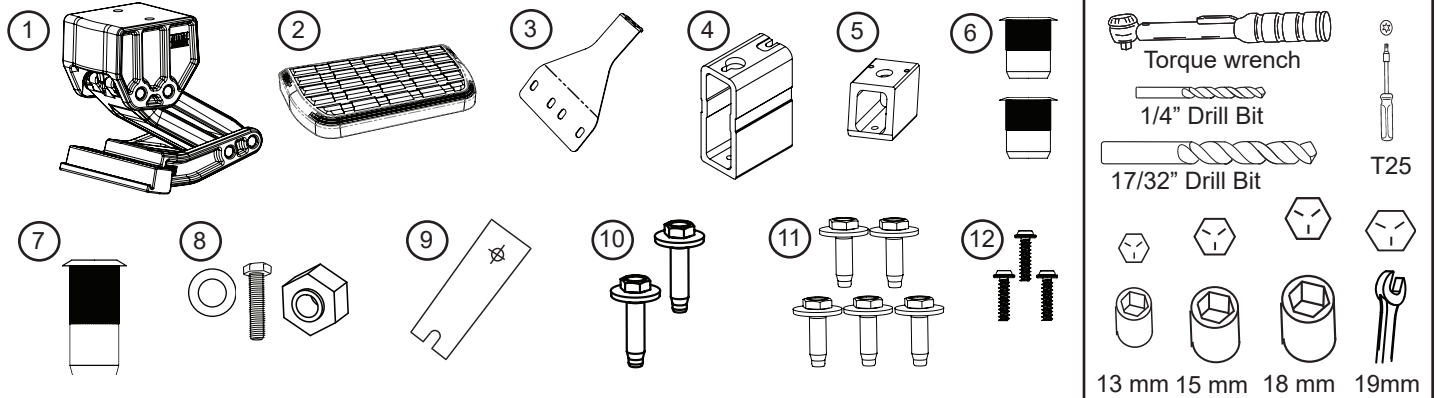
Chevy Silverado/GMC Sierra 1500  
Chevy Silverado/GMC Sierra 2500/3500

### MODEL YEAR

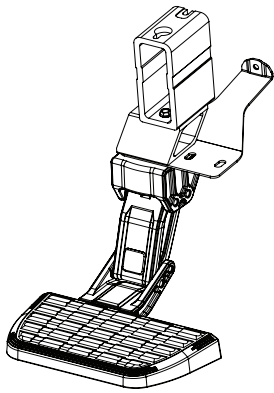
2014-2019 (all beds)  
2014-2019 (all beds)

### PART NUMBER

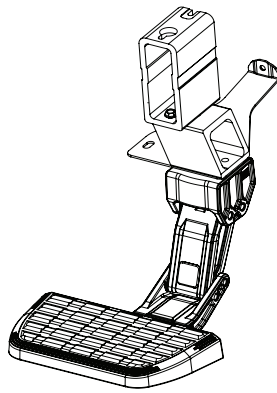
75407-01A  
75407-01A



### 5.5' Bed Lengths

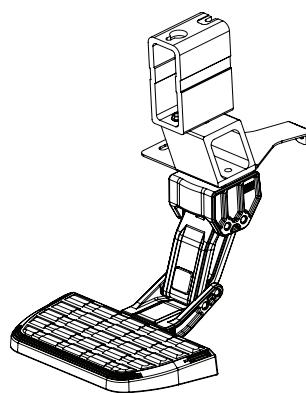


Drivers side Configuration

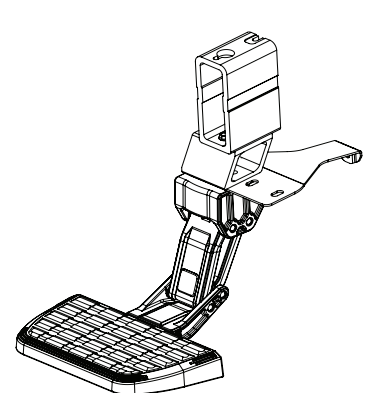


Passenger side Configuration

### 6.5' & 8' Bed Lengths



Drivers side Configuration



Passenger side Configuration

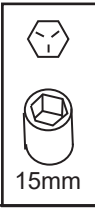
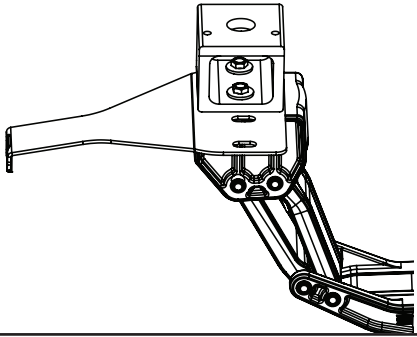
Note: (5) may not have angle cut in part.

1

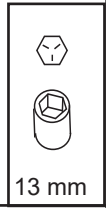
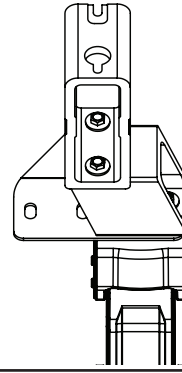
REALTRUCK TECH SUPPORT 1-888-983-2204 (Press 2) Monday - Friday, 8:00 AM - 5:00 PM EST

Designed and manufactured by AMP Research® • Made in Mexico  
Patent Protected. Please see our product site for applicable patents. [www.realtruck.com/b/amp-research/](http://www.realtruck.com/b/amp-research/)  
© 2024 AMP Research • Three-year limited warranty. • Professional installation is recommended.

Using a 15mm Socket assemble Lateral Mount onto Linkage Assembly with M10 Washer Hex Bolts. Steel Frame Bracket is to be assembled between Linkage Assembly and Lateral Mount. Do not tighten bolts yet. Driver's side configuration shown below. See Step 1 for passenger side configuration.



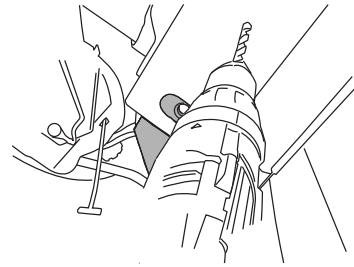
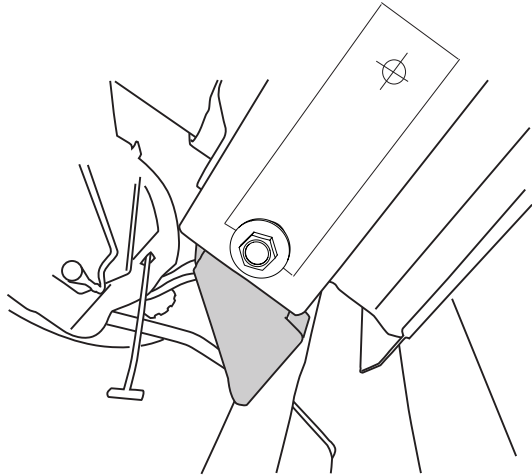
Using a 13mm Socket assemble Frame Mount onto Lateral Mount with M8 Washer Hex Bolts. Torque bolts to 16 ft-lbs.



2

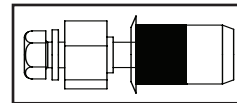
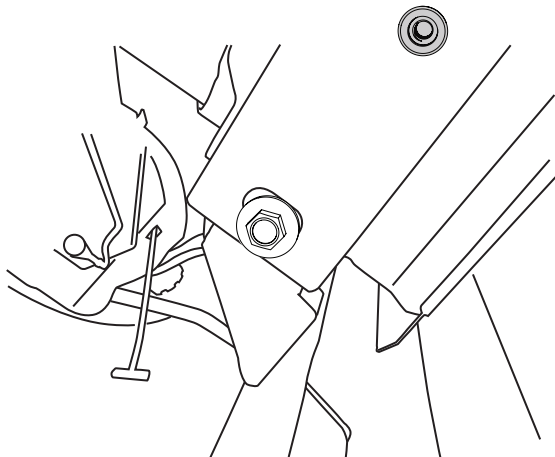
3

Using a 13mm socket, loosen M8 bolt from forward most bed channel on the underside of the truck. Loosen bolt to a gap of about 12mm (1/2"). Slide slotted end of the drill template over bolt and hold template in place with tape. Center punch hole and pre-drill using an 1/8" drill bit. Then drill to 17/32". Apply GM Vehicle Care Super Lube to drilled surface.

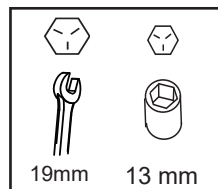


4

Install Rivet Nut onto bed channel. With Rivet nut tool held in place with 19mm wrench, tighten hex bolt until rivet nut deforms and secures itself to the sheet metal. Torque to 20 ft-lbs. Remove hex bolt and rivet nut tool. See Figure 5a for rivet nut tool assembly. Install M8 Washer Hex Bolt into Rivet Nut (6), leaving gap of about 12mm (1/2").

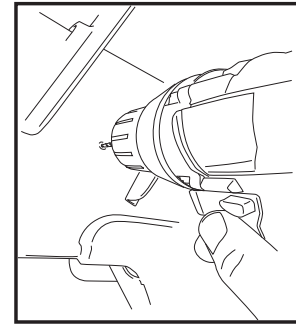
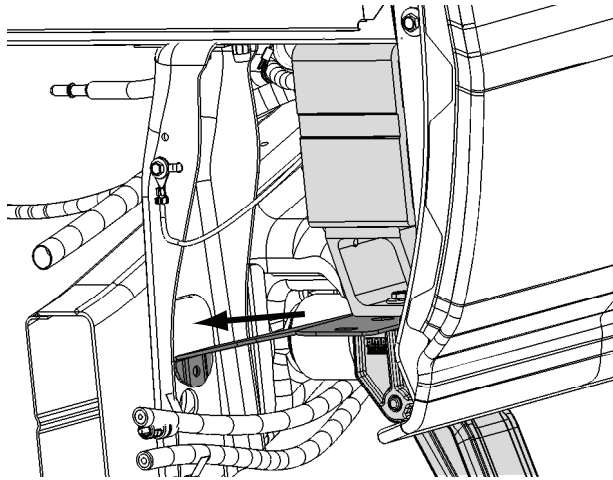


**RIVET NUT TOOL ASSEMBLY**  
 M8 Hex Bolt  
 M8 Flat Washer  
 Rivet Nut Tool  
 Rivet Nut



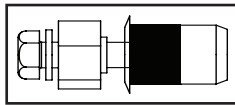
5

Lift Bedside Assist Step assembly into position, hooking Upper Mount onto installed bed channel bolts from Step 5. Snug bolts and slide Frame Bracket up to frame (in arrow direction) and mark hole location. Remove Step assembly, Center punch and pre-drill using a 1/8" drill bit. Then drill to 17/32".

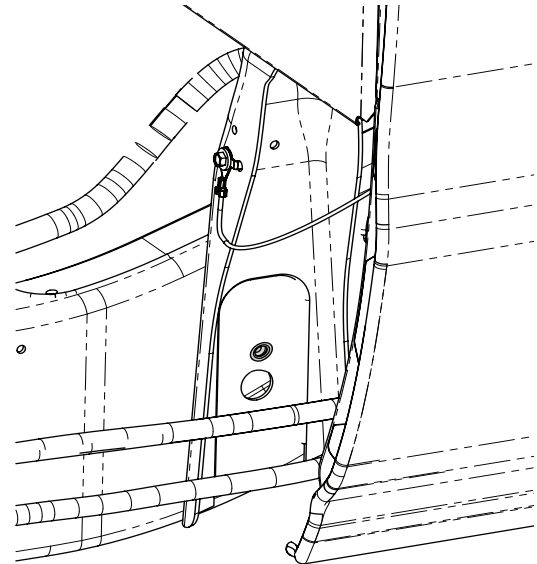


6

Install Rivet Nut onto frame rail just behind truck bed frame mount, just forward of rear wheel well. With Rivet nut tool held in place with 19mm wrench, tighten hex bolt until rivet nut (7) deforms and secures itself to the sheet metal. Torque to 20 ft-lbs. Remove hex bolt and rivet nut tool. See Figure 7a for rivet nut tool assembly.

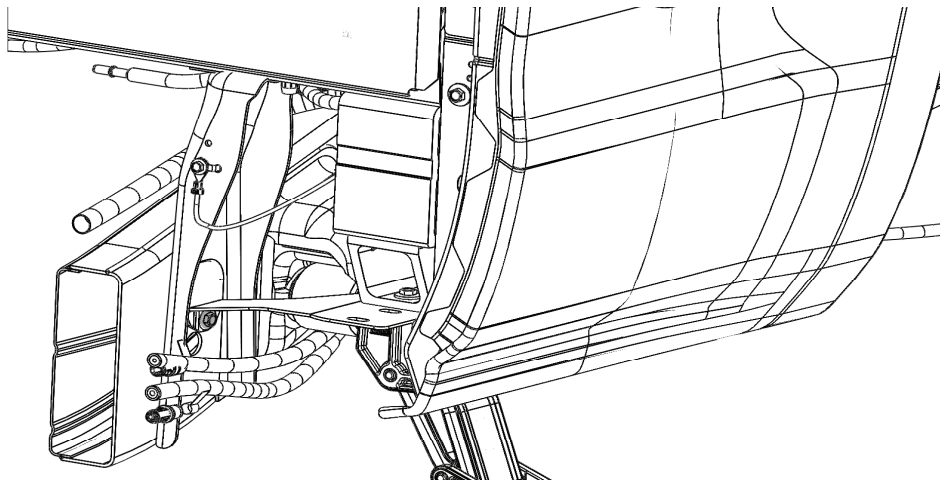


**RIVET NUT TOOL ASSEMBLY**  
M8 Hex Bolt  
M8 Flat Washer  
Rivet Nut Tool  
Rivet Nut



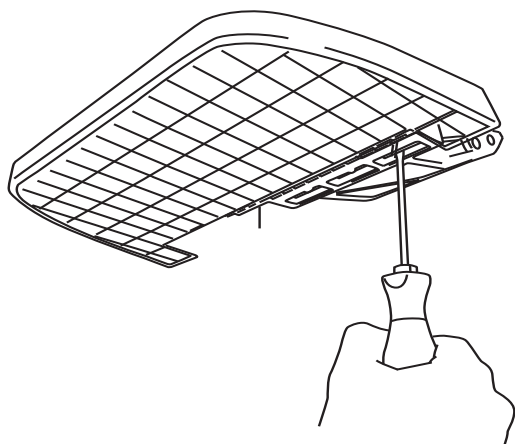
7

Lift Bedside Assist Step assembly into position, hooking Upper Mount onto installed bed channel bolts from Step 5. Install additional M8 Washer Hex Bolt through Frame Bracket and into Rivet Nut installed on frame rail. Straighten assembly and tighten bolts to 16 ft-lbs.



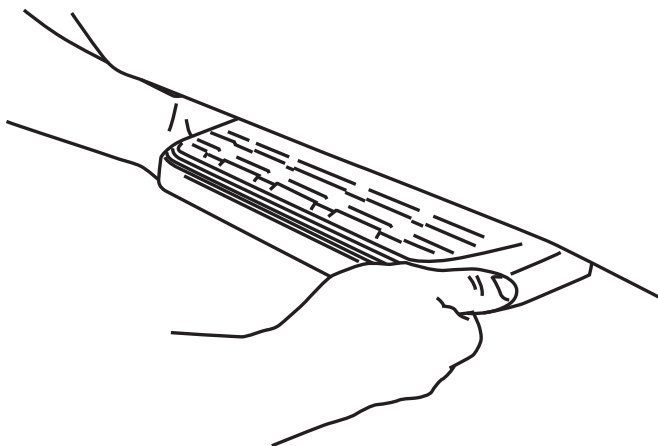
8

Place Step Pad on Linkage mounting interface. Mounting interface allows three positions, centered and offset to either side. Tighten all three screws to 5 ft-lbs. using T25 Torx Bit.



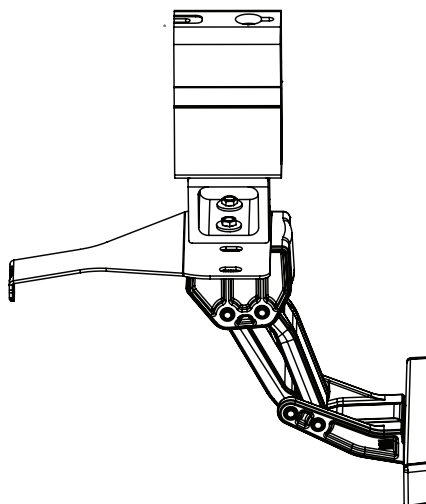
9

Adjust Step Pad to be in line with fender.



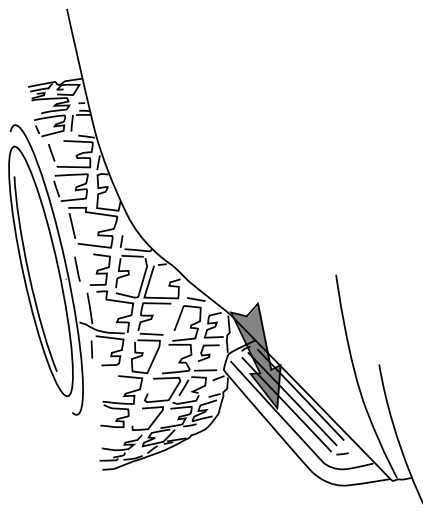
10

Tighten M10 Washer Hex Bolts using a 15mm Socket. Torque to 20 Ft-lbs.



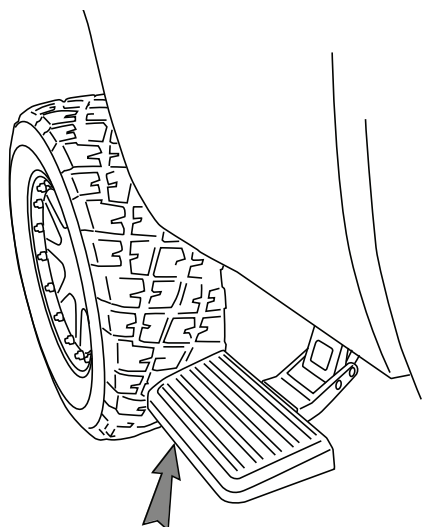
11

To deploy the step, press down using your foot on the outside edge of the step pad.



12

To retract, gently kick up on the underside of the step pad.



13

**Thank you for your recent Realtruck Purchase.**

**REGISTER YOUR PRODUCT TODAY FOR  
FASTER SERVICE & PRODUCT UPDATES**

Please visit:

**<https://realtruck.com/warranty-registration/>  
or scan the QR Code**



**Product Registration Benefits:**

- Ensure we have your purchase receipt and product info in our system which is required for warranty.
- Faster and easier access to customer service and tech support in the unlikely event you need warranty or product support.
- Registration helps us keep you up to date on product information and offers.

To view other Realtruck products that may be offered for your vehicle.

**Please visit: [www.realtruck.com](http://www.realtruck.com)**



**Congratulations on the purchase of your AMP Research BedStep®**

Here's what you should know...

**OPERATION**

- The AMP Research BedStep® is foot operated and deploys and retracts with a nudge of your foot.
- To deploy, press down using your left foot, on the forward outside corner of the step pad.
- To retract, gently kick the underside of the step pad.
- Max Load Capacity: 300lbs.
- Always use appropriate hand holds when stepping up to or down from your truck's cargo bed.

**MAINTENANCE TIPS**

The step pad surface and linkage arms can be washed with mild soap and water using a soft brush or sponge to dislodge any mud, dirt or accumulated road grime. Rinse with fresh water.

To prevent slipping, avoid applying waxes, lubricants or protectants like Armor All® to the step surface.

**ATTENTION!**

**BEDSTEP SHOULD ALWAYS BE STOWED IN THE RETRACTED POSITION WHEN DRIVING.**

**LIMITED WARRANTY**

REALTRUCK warrants product to be free from defects in material and workmanship, for terms specified below, provided there has been normal use and proper maintenance. All remedies under this warranty are limited to the repair or replacement of any item found by the factory to be defective within the time period specified.

If you have a warranty claim, first you must call our factory at the number below for instructions. You must retain proof of purchase and submit a copy with any items returned for warranty work. Upon completion of warranty work, if any, we will return the repaired or replaced item or items to you freight prepaid. Damage to our products caused by accidents, fire, vandalism, negligence, misinstallation, misuse, acts by mother nature, or by defective parts not manufactured by us, is not covered under this warranty.

THE WARRANTY TIME PERIOD IS AS FOLLOWS: THREE YEARS FROM DATE OF PURCHASE.

ANY IMPLIED WARRANTIES OF MERCHANTABILITY AND/OR FITNESS FOR A PARTICULAR PURPOSE CREATED HEREBY ARE LIMITED IN DURATION TO THE SAME DURATION AND SCOPE AS THE EXPRESS WRITTEN WARRANTY. OUR COMPANY SHALL NOT BE LIABLE FOR ANY INCIDENTAL OR CONSEQUENTIAL DAMAGE.

Some states do not allow limitations on how long an implied warranty lasts, or the exclusion or limitation of incidental or consequential damages, so the above limitations or exclusions may not apply to you. This warranty gives you specific legal rights, and you may also have other rights that vary from state to state.

FOR WARRANTY ISSUES WITH THIS PRODUCT PLEASE CALL REALTRUCK CUSTOMER SERVICE 1-888-983-2204

**WARNING**

Be sure to read and precisely follow the provided instructions when installing this product. Failure to do so could place the vehicle occupants in a potentially dangerous situation. After installing or reinstalling, re-check to insure that the product is properly installed.